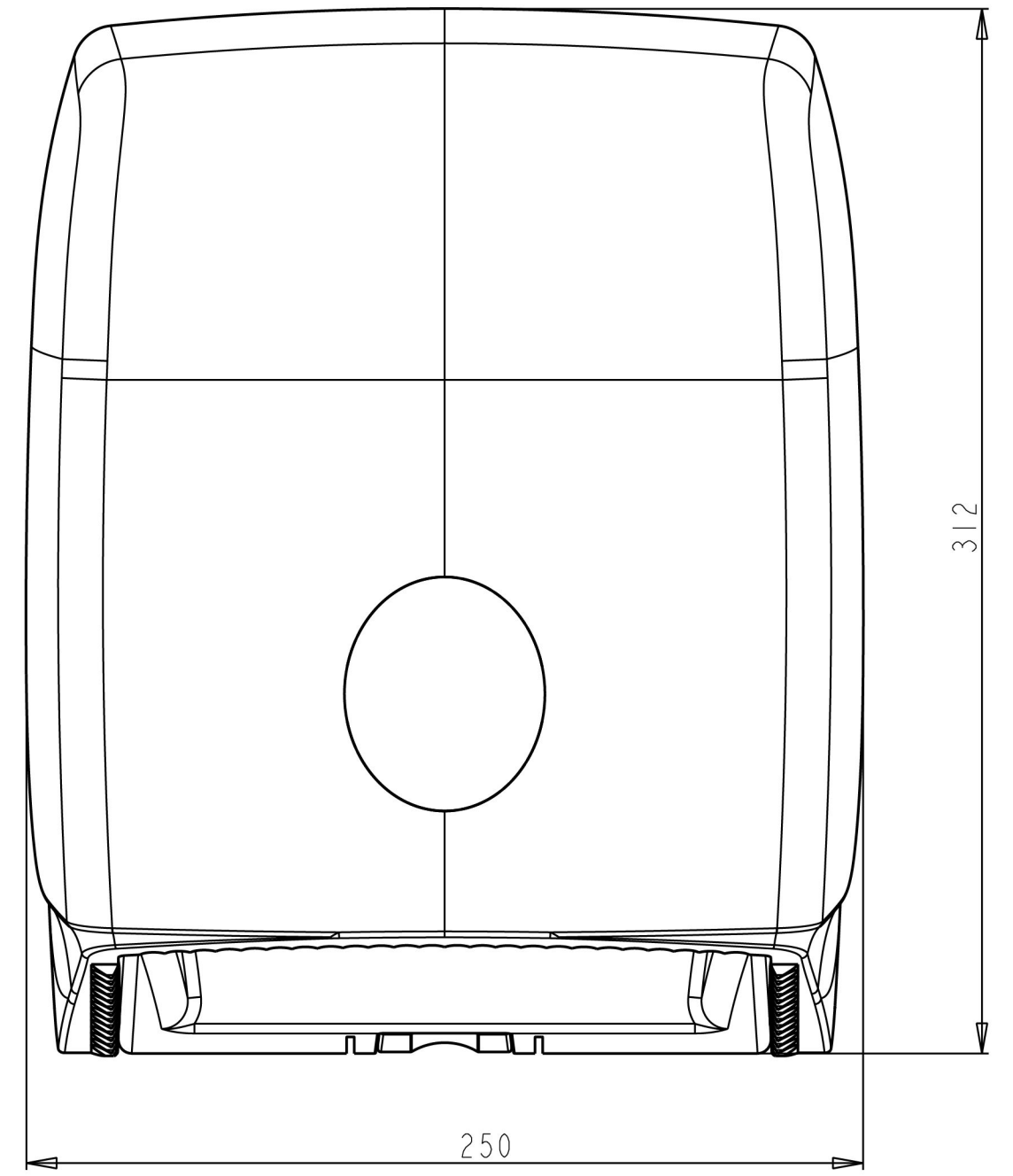
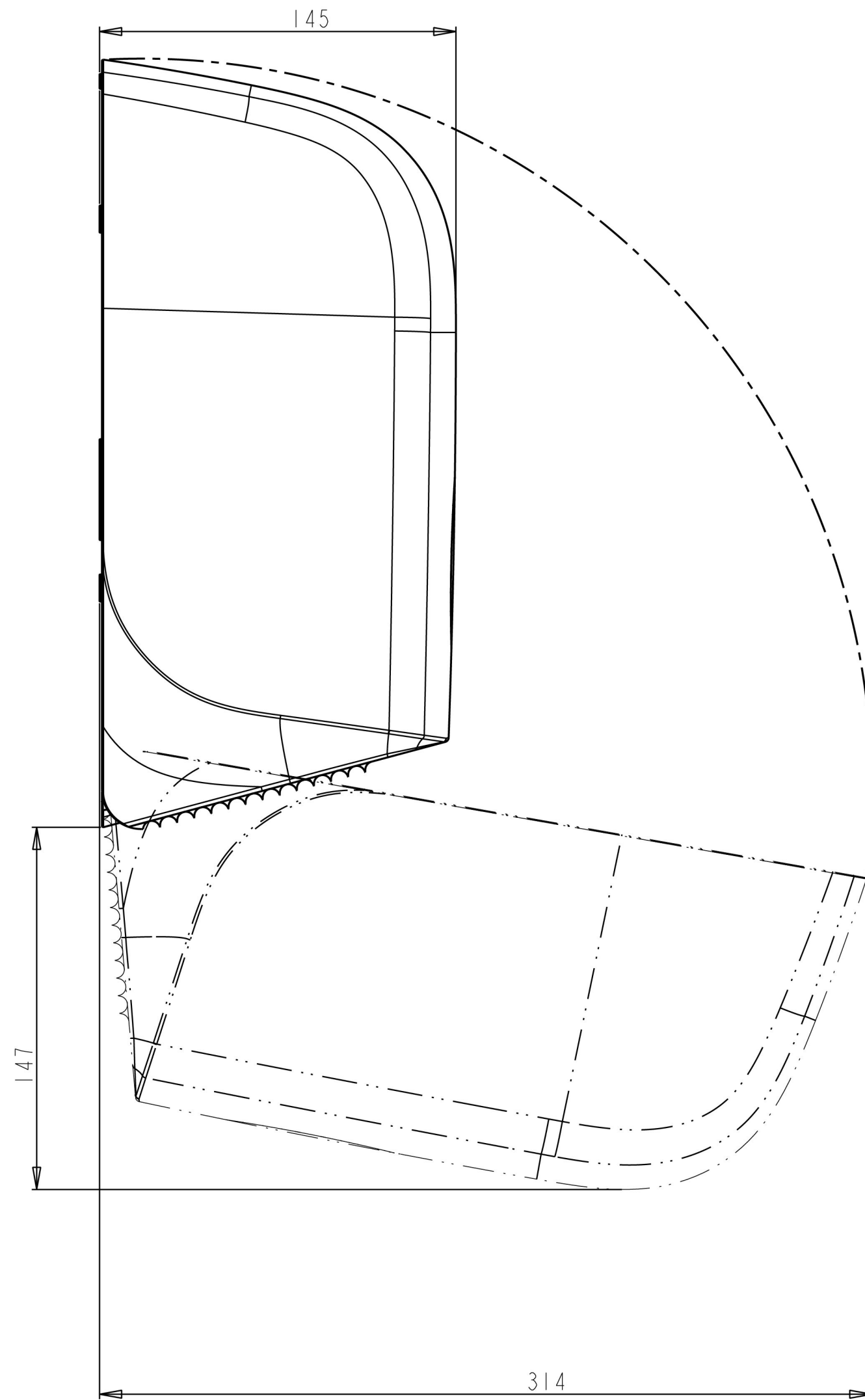
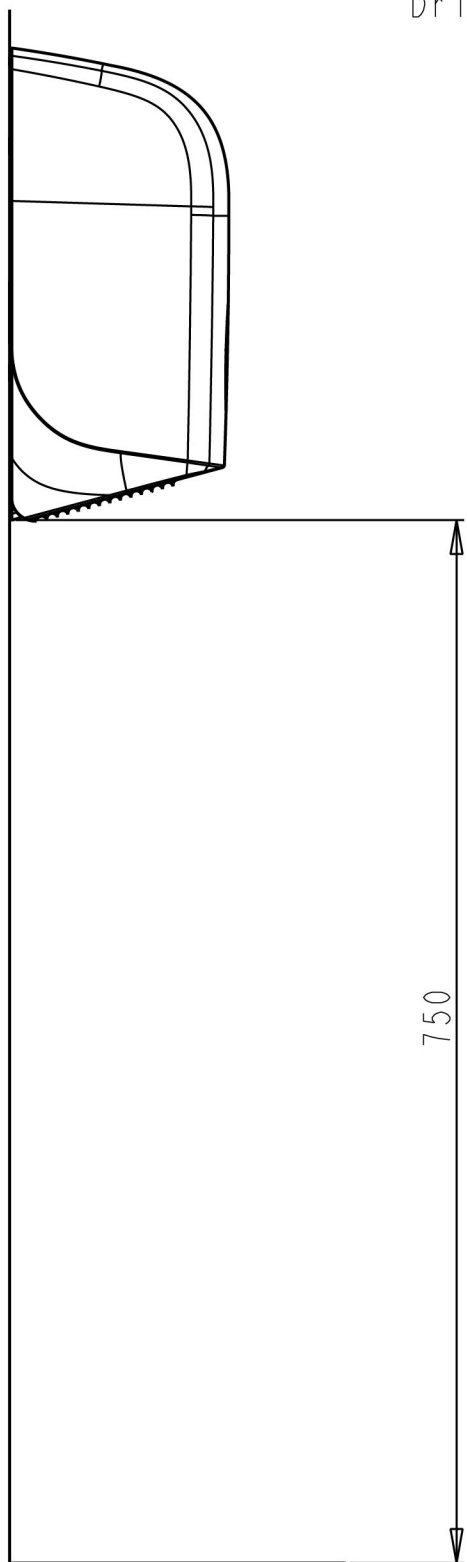


Drill pattern



Dimensions in mm